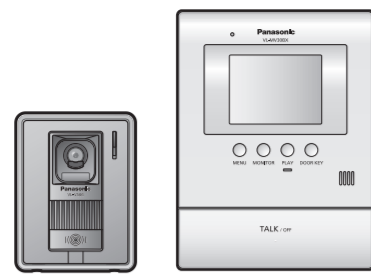


Installation Guide

Model Name	Video Intercom System	Main Monitor
Model No.	VL-SV30BX	VL-MV30BX



VL-V566BX VL-MV30BX
VL-V566BX is described as "Door station" and VL-MV30BX is described as "Main monitor station" in this guide.

For door station and main monitor station

- Please read this Installation Guide before installing the unit and save for future reference.
- Please read this Installation Guide carefully, and install the unit safely and correctly by following the instructions. Panasonic assumes no responsibility for injuries or property damage resulting from failures arising out of improper installation or operation inconsistent with both the Installation Guide and Operating Instructions.
- Please confirm the wiring schematic diagram in this Installation Guide when you increase an optional equipment.

Included accessories for installation

For the door station	For the main monitor station
<ul style="list-style-type: none"> • Wood screws2 (3.8 mm × 20 mm) 	<ul style="list-style-type: none"> • Mounting bracket1
<ul style="list-style-type: none"> • Attached to the bag the door station is in. 	<ul style="list-style-type: none"> • Attached to the rear of the main monitor station.

For your safety

To prevent severe injury and loss of life/property, read this section carefully before using the unit to ensure proper and safe operation of your unit.

WARNING

- To reduce the risk of electric shock, do not disassemble this unit. Refer servicing to an authorized service center when service is required. Opening or removing covers may expose you to dangerous voltages or other risks. Incorrect reassembly can cause electric shock when the unit is subsequently used.
- Do not make any wiring connections when the power supply is turned on.
- Never install wiring during a lightning storm.
- Do not overload power outlets and extension cords. This can result in the risk of fire or electric shock.
- Do not install the main monitor station in the following places:
 - Places where the main monitor station may be splashed with water or chemicals.
 - Places where there is a high concentration of dust, or high humidity.
- When existing chime wires are used, it is possible that they contain AC voltage. Electric shock or unit damage could result. Contact an authorized service center.

CAUTION

- The power cord is used as the main disconnect device. Ensure that the power outlet is installed near the product and is easily accessible.
- Install the unit securely adhering to the instructions in this guide to prevent it from falling off the wall. Avoid installing onto low-strength walls, such as gypsum board, ALC (autoclaved lightweight concrete), concrete block, or veneer (less than 18 mm thick) walls. Do not install the unit using a different method from the instructions in this guide.
- If the wiring is outdoors, use a protection tube or a surge protector.
- If the wiring is underground, do not make any connections underground.
- If the wiring is underground, use a protection tube.

Panasonic System Networks Co., Ltd.
1-62, 4-chome, Minoshima, Hakata-ku, Fukuoka 812-8531, Japan

© Panasonic System Networks Co., Ltd. 2010



PNQW2497ZA SV1110MT0

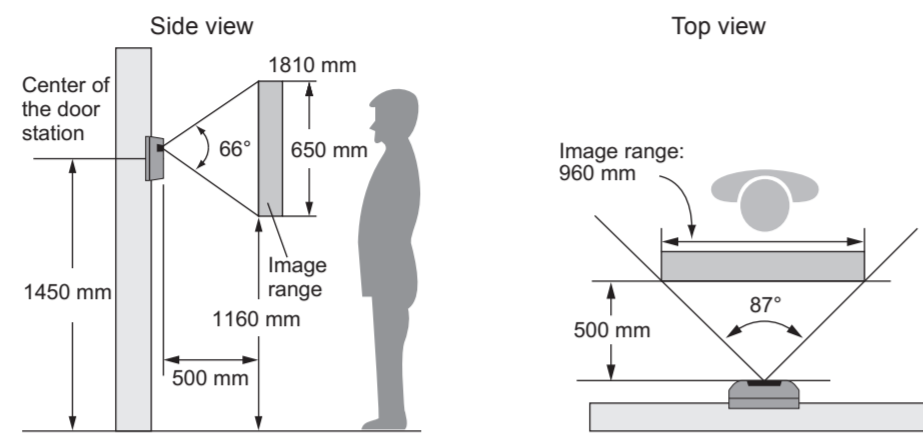
Before installation

To avoid malfunction or communication disturbances, do not install either the door station or the main monitor station in the following locations:

- Places where vibration or any other kind of impact occurs.
- Places where echoing is frequent.
- Places near a high concentration of dust, hydrogen sulfide, ammonia, sulfur, or noxious fumes.
- Within 2 m of a TV, microwave, personal computer, air conditioner or any other electrical device.

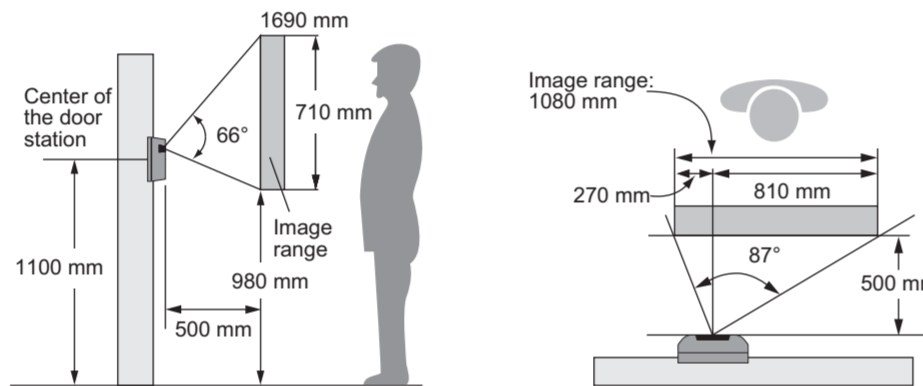
Installation position of the door station and camera range

- Views when the camera is facing forwards at 0° (default).
 - Example: Installation height is 1450 mm (standard position).



The camera angle can be adjusted using the camera angle control lever on the rear of the door station (step 3, "Installing the door station"), so that the image range can be changed.

- Side view when the camera is installed lower than the standard position, and facing upwards at 15°.
 - Example: Installation height is 1100 mm.
- Top view when the camera is facing left or right at 15°*.
 - Example: Camera angle faces left 15°.



*If the camera points 15° upwards, the left or right angle is less than 7°.

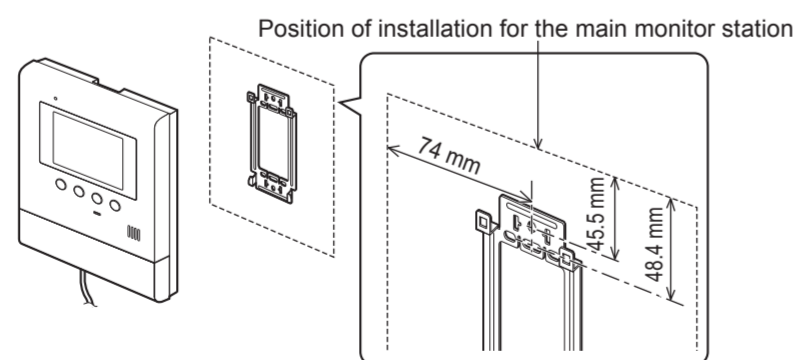
Note:

- The measurements and angles are for reference purposes and may vary depending on the environment.
- If a strong light is shining on the door station, the visitor's face may not be distinguishable. Do not place the door station in the following locations.
 - Where most of the background is the sky.
 - Where the background is a white wall, and direct sunlight will reflect off it.
 - Where direct sunlight will shine on the door station.
- Do not place the door station in the locations where echoing occurs, causing the unit to beep frequently.
- Make sure the rear of the door station is not subject to water.

Standard installation position of the main monitor station

Place the main monitor station in a location that your eyes are the same height as the center of the display.

If a position of installation for the main monitor station is specified Install the mounting bracket to one of the following positions.



Note:

- In areas surrounded by a high electrical field, disturbances may occur in the main monitor station's image or sound.
- Be sure to install the main monitor station more than 5 m away from the door station.
- Do not place any objects within 20 cm of the main monitor station. This may cause communication errors or malfunction.
- Do not install the main monitor station inside a wall.
- Do not install the main monitor station in places where it will be affected by extremely high-frequency radio waves (near broadcasting antennas etc.). This may cause the display to flicker or an interrupting noise to occur.

If you change to the main monitor station from chime, bell or buzzer

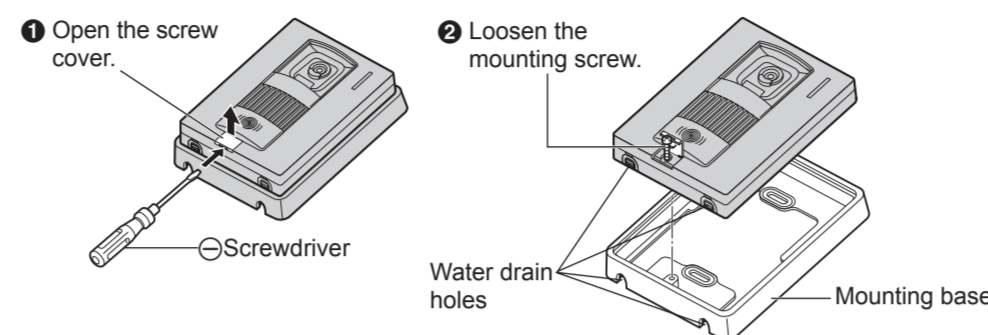
Existing wires (e.g. chime, bell or buzzer) may connect to power supplies (e.g. AC 100 – 240 V or 24 V). If you connect the main monitor station through such existing wires, electric shock or unit damage may occur. Contact the dealer where you purchased.

Installing the door station

Important:

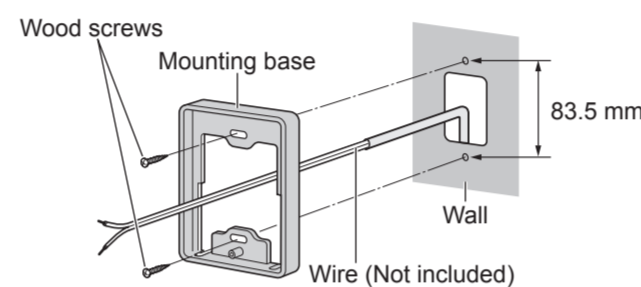
- On the bottom surface of the door station, there are holes to allow water to drain. Do not cover them up when installing.

1 Remove the mounting base.

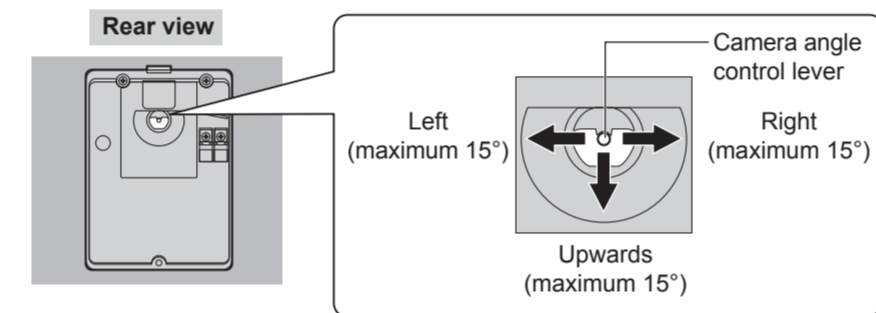


2 Attach the mounting base to the wall securely using the wood screws (3.8 mm x 20 mm).

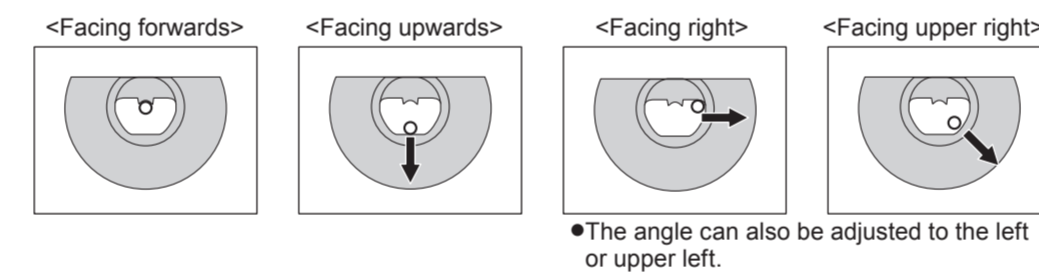
- Install the mounting base on a vertical flat wall.
- Before drilling, refer to "Before installation" for installation location.



3 Adjust the camera angle using the camera angle control lever.



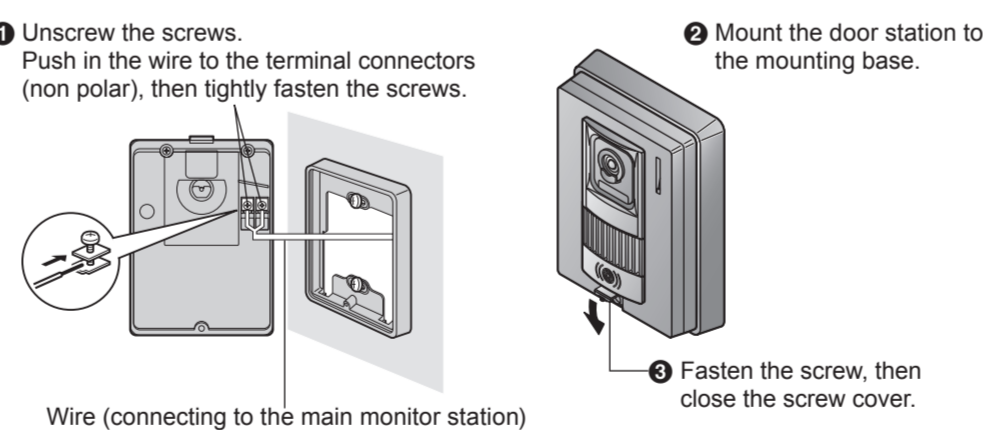
<Examples of camera angle>



Important:

- When the camera angle is adjusted to the upper left or upper right, the image may be slightly distorted.

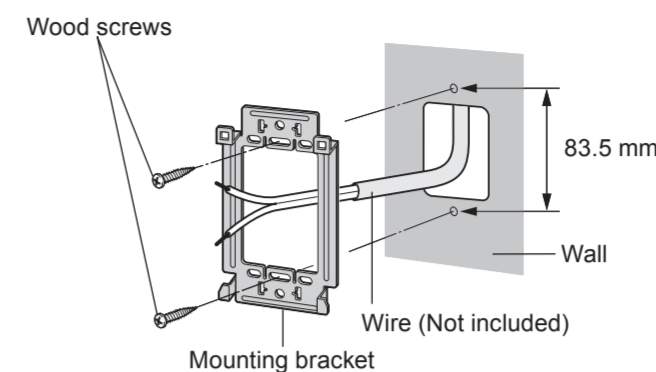
4 Connect the wire, then mount the door station to the mounting base.



Installing the main monitor station

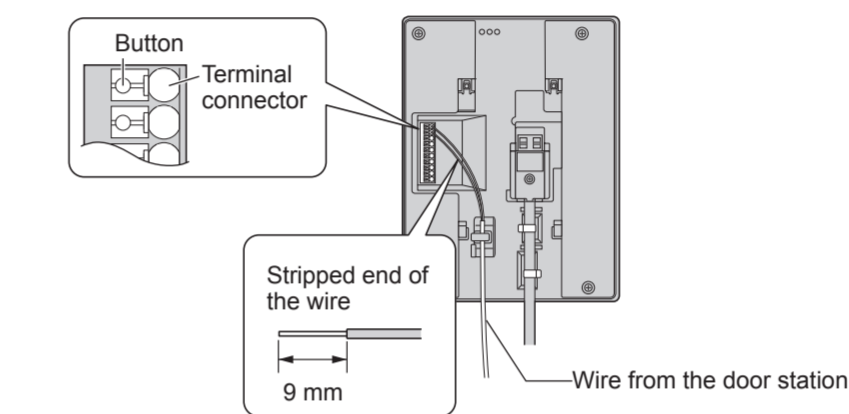
1 Attach the mounting bracket to the wall securely using the wood screws (4 mm x 16 mm).

- Install the mounting bracket on a vertical flat wall.
- Before drilling, refer to "Before installation" for installation location.



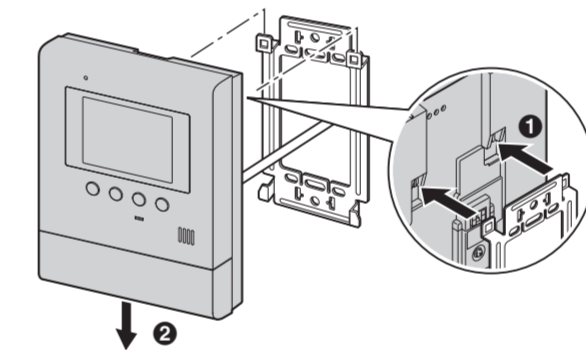
2 Attach the wires connected to the door station to the terminal connector.

- Connect the wire correctly according to "Wiring schematic diagram".
- While pressing on the button with a pointed object such as a screwdriver, insert the wire into the terminal connector. (To disconnect a wire, press on the button while pulling out.)



3 Mount the main monitor station to the mounting bracket.

- Fit into position as shown in the figure.
- Push the main monitor station down until it is secure.



4 Connect the plug into an AC outlet (100 – 240 V AC).

Important:

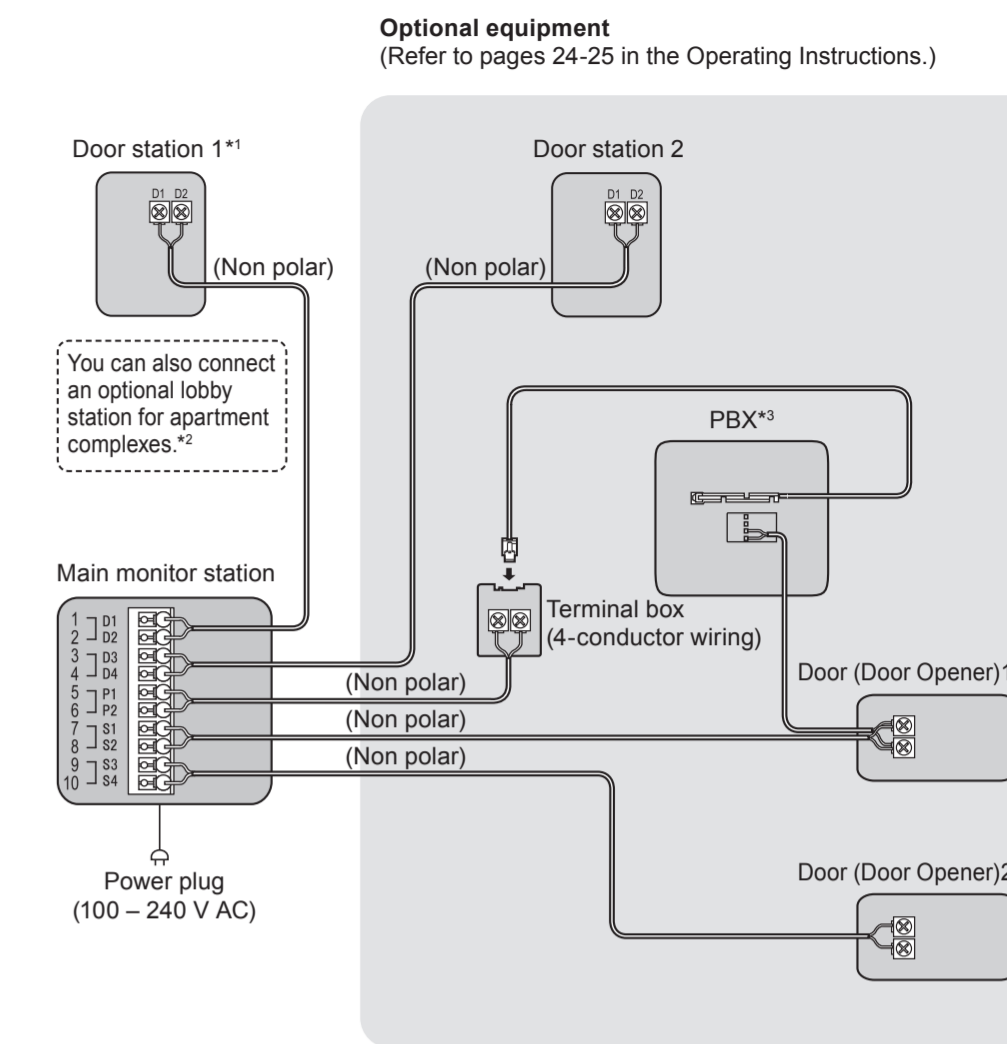
- Connect the plug to the power outlet which is easily accessible.

To use an existing wire in your home

- Be sure to turn off the power and confirm that the wire type is CAT-3 (ø0.5) or 22 AWG (ø0.65). If the wire type is not CAT-3 (ø0.5) or 22 AWG (ø0.65), change the wire to either of the specified wire types.
- Install the main monitor station and the door station.
- Turn on the power.

Wiring schematic diagram

Set up correctly according to the following wiring schematic diagrams and "Wire type and distance".



*1 For VL-MV30BX users: The door station is optional (not included).

** Connecting an optional lobby station for apartment complexes

Be sure to perform the following to ensure proper operation:

- Connect to terminal D1/D2 on the main monitor station.
- After connecting to the main monitor station, change the setting of "LOBBY CONNECTION" to "YES" using the main monitor station. (Refer to page 23 in the Operating Instructions.)

** For information about compatible PBXs, refer to page 3 in the Operating Instructions.

** Connecting a door opener

- Before connecting to a door opener, make sure that:
 - S1/S2/S3/S4 terminal: Normally open/Actively short
 - The door opener is less than 30 V AC (1 A), 24 V DC (1 A).
 - S1/S2/S3/S4 terminal on the main monitor station is not the power supply to the door opener. If the door opener needs a power supply device to connect to the main monitor station, contact the dealer where you purchased the door opener.
- The door opener for the door station connected to terminal D1/D2 must be connected to terminal S1/S2. The other door opener for the door station connected to terminal D3/D4 must be connected to terminal S3/S4.
- You can connect up to 2 door openers to the main monitor station. If the main monitor station is connected to a PBX, one of the 2 door openers can be connected to the PBX and operated from the PBX extensions.
- The time how long the door remains open by the door opener can be set using the main monitor station. (The default setting is "5 SEC OPEN".) After connecting the door opener, confirm that the door can be properly locked/unlocked depending on the status of the door opener. If your door opener automatically locks the door when it is closed, we recommend setting the [DOOR KEY] button to "2 SEC OPEN". (Refer to page 20 in the Operating Instructions.)

Note:

- When you move the main monitor station, make sure the PBX is disconnected.
- The door opener wiring schematic diagram is only an example. Refer to the wiring instructions provided with your door opener and PBX for details.

Wire type and distance

- Wire (between the main monitor station and the door station):

Type	Distance	Loop resistance
General cable CAT-3	Maximum 50 m	10 Ω or lower
General cable 22 AWG (ø 0.65)	Maximum 100 m	

- Wire (between the main monitor station and PBX):

Type: General cable CAT-3 or 22 AWG (ø 0.65)
Distance: Maximum 100 m