

Installation Guide

Model Name	Model No.
Video Intercom System	VL-SV74
Main Monitor Station	VL-MV74
Door Station	VL-V524

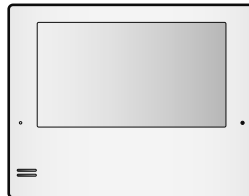
- This guide is for use with the above 3 models.
- The VL-SV74 models composition consists of VL-MV74 and VL-V524.

VL-V524



Door station

VL-MV74



Main monitor station

- The Installation Guide in Indonesian and Thai can be accessed from the following site: <https://panasonic.net/cns/pcc/support/intercom/sv74>
- Door station is described as "doorphone" and Main monitor station is described as "main monitor" in this guide.
- In this guide, the suffix of each model number (e.g., the "BX" in "VL-SV74BX") is omitted unless necessary.

Note to the installer

- Before attempting to connect or operate this product, please read the label on the rear of the doorphone and the main monitor/extension monitor.
- Please read this guide carefully, and install the product safely and correctly by following the instructions. Carefully read the information found in the section titled "For your safety" in particular.
- Only use attachments/accessories specified by the manufacturer.
- The installation shall be carried out in accordance with all applicable installation rules.
- To the maximum extent permitted by law, Panasonic assumes no responsibility for injuries or property damage resulting from failures arising out of improper installation or operation inconsistent with this document.
- After installation, make sure to leave this guide with the customer.

For your safety

To prevent severe injury or loss of life or property, and to ensure proper and safe operation of your product, read this section carefully before using the product.



Preventing fire, electric shock and short circuits

- **Leave installation work to the dealer. Installation work requires technique and experiences. Failure to observe this may cause fire, electric shock, injury, or damage to the product. Consult the dealer.**
- **Electrical connection work should be performed by certified personnel only. Certification is required for performing electrical connection work. Consult your dealer.**
- Do not attempt to disassemble or modify this product. Contact an authorised service centre for repairs.
- Never install wiring during a lightning storm.
- Do not connect non-specified devices.
- Do not connect a power cable to a terminal that is not specified in this guide.
- When opening holes in walls for installation or wiring, or when securing the power cable, make sure you do not damage existing wiring and ductwork.
- Do not make any wiring connections when the power supply is turned on.
- Do not install the main monitor/extension monitor in the following places:

- Places where the main monitor/extension monitor may be splashed with water or chemicals.
- Places where there is a high concentration of dust, or high humidity.

- Do not place objects on the power cables.
- Install the product where no one can step or trip on the power cables.
- Do not allow the power cables to be excessively pulled, bent or placed under heavy objects.
- When existing wires are used, it is possible that they contain AC voltage. Contact an authorised service centre.



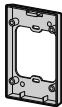
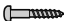
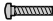
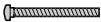
Preventing electric shock



- If the wiring is underground, do not make any connections underground.
- If the wiring is underground, use a protection tube.
- If the wiring is outdoors, use a protection tube or a surge protector.

Preventing injury

- Install the product securely adhering to the instructions in this guide to prevent it from falling off the wall. Avoid installing onto low-strength walls, such as gypsum board, ALC (autoclaved lightweight concrete), concrete block, or veneer (less than 18 mm thick) walls.

Supplied accessories for installation

For the doorphone		
 Mounting base × 1	 Screw × 2 (3.8 mm × 20 mm)	 Screw × 4 (4 mm × 12 mm)  Screw × 4 (4 mm × 25 mm)*1

For the main monitor/extension monitor	
 Mounting bracket × 1	 Screw × 2 (4 mm × 16 mm)

Important:

- You will need the following additional items to install and configure the doorphone and the main monitor/extension monitor.

[Locally procured]

- Wires (for doorphone and other connections):
Prepare wires of the appropriate specification. (→ "Wire type and length")

Note:

- The illustrations in the supplied manual(s) may vary slightly from the actual product.

*1 Used when using a separately sold flush mount box for installation.

Precautions for installation

To avoid malfunction or communication disturbances, do not install the doorphone or the main monitor/extension monitor in the following locations:

- Places where vibration or any other kind of impact occurs.
- Places where echoing is frequent.
- Places near a high concentration of dust, hydrogen sulphide, ammonia, sulphur, or noxious fumes.

For the doorphone

- If a strong light is shining on the doorphone, the visitor's face may not be distinguishable. Do not place the doorphone in the following locations:
 - Where most of the background is the sky.
 - Where the background is a white wall, and direct sunlight will reflect off it.
 - Where direct sunlight will shine on the doorphone.
- Do not place the doorphone in locations where echoing occurs, as this will cause the doorphone to beep frequently.
- Dust protection/water protection is IP44.
Only when installation work specified in this guide is properly performed and appropriate water protection treatment is performed.
- Make sure the rear of the doorphone is not subject to water.
- Depending on the installation location, condensation may form on the doorphone's lens cover. This may cause images to become obscured. Condensation will dissipate as the temperature rises.

For the main monitor/extension monitor

- Leave at least 20 cm of space above, below, and to the left and right sides of the main monitor/extension monitor. Do not install on a wall that is deeply recessed.
- Do not install the main monitor/extension monitor inside a wall.
- Be sure to install the main monitor/extension monitor more than 5 m away from the doorphone.
- In areas surrounded by a high electrical field, disturbances may occur in the main monitor's/extension monitor's image or sound.

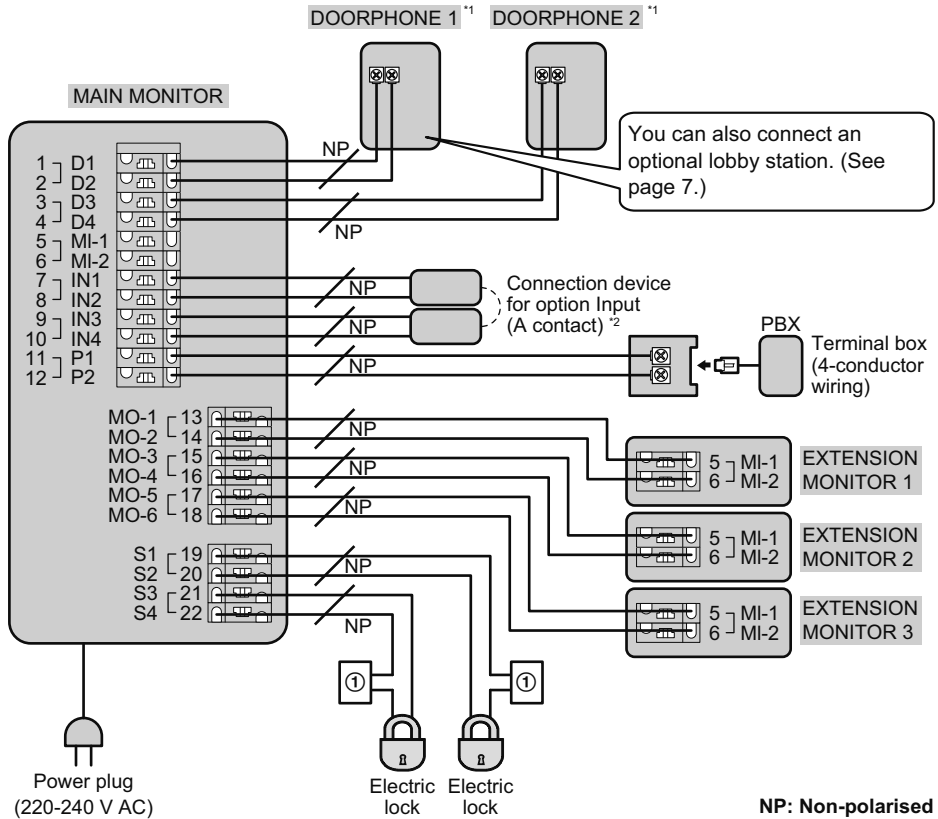
Important:

- Do not use any cleaning products that contain alcohol, polish powder, powder soap, benzene, thinner, wax, petroleum, or boiling water. Also do not spray the product with insecticide, glass cleaner, hair spray or wall paint. This may cause a change in colour or quality of the product.

Wiring schematic diagram

Set up correctly according to the following wiring schematic diagram and "Wire type and length".

- For information, such as order numbers, about optional devices that can be connected to, refer to the "Additional/replacement accessories" section in the Operating Instructions.



① Power supply

- *1 When you use an additional doorphone, the maximum number of the electric locks that can be connected to the doorphone depends on the type of doorphone. Consult your dealer for further information.

For VL-V554 users:

- The electric lock can also be connected to the S1/S2 terminals of the doorphone.

*2 Connection devices for option input (A contact).

- Make sure to connect doorbells to the IN3/IN4 terminals. A doorbell and doorphone 2 cannot be used together.
- When a VL-V901 and VL-V700 series Video Intercom System for Apartment Complexes is used, emergency terminals can be used. Make sure to connect emergency terminals to the IN1/IN2 terminals.

Wire type and length

Wiring run	Wire type* ¹		
	Diameter		Length (Max.)
Doorphone – Main monitor – Extension monitor* ²	ø 0.65 mm	22 AWG	100 m
	ø 1.0 mm	18 AWG	130 m
	ø 0.5 mm	CAT 5	50 m
Main monitor – Electric lock* ³	ø 0.5 mm - ø 1.2 mm (24 AWG - 17 AWG)		According to the specifications of the connected device.
Main monitor – Connection device for option input (A contact)* ³	ø 0.5 mm - ø 1.2 mm (24 AWG - 17 AWG)		According to the specifications of the connected device.
Main monitor – PBX	ø 0.65 mm	CAT 3 or 22 AWG	100 m

*1 Type: Single-pair cable with outer sheath (jacket)

Conductor: Copper solid

- A certified power supply wiring has to be used with this equipment. The relevant national installation and/or equipment regulations shall be considered. A certified power supply wiring not lighter than ordinary polyvinyl chloride flexible wiring according to IEC 60227 shall be used.

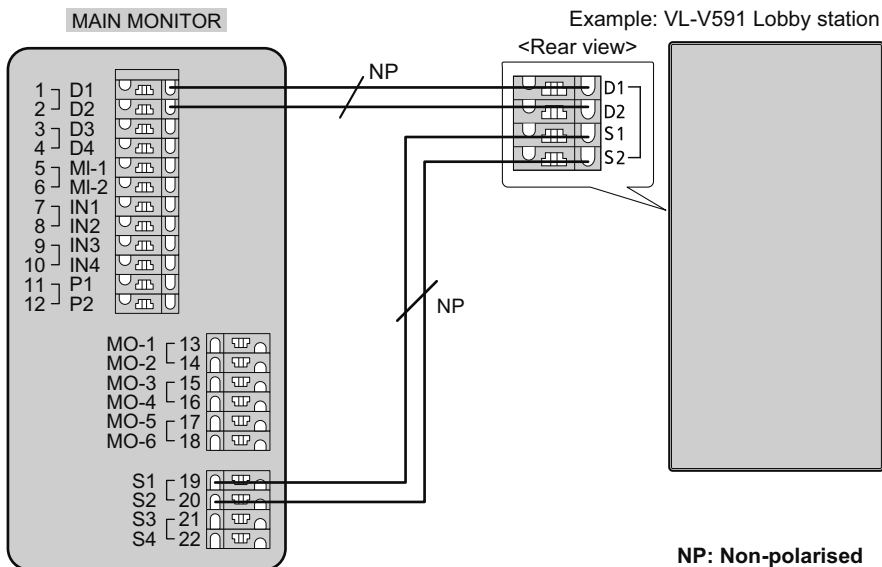
*2 When an extension monitor is used, make sure that the total wiring length from the doorphone to the main monitor and then to the extension monitor, is within about 100 m.

*3 When using an electric lock or a connection device for option input (A contact), select a device that meets the following guidelines:

- Electric lock connection terminal (S1/S2, S3/S4):
 - N/O dry closure contact
 - 30 V AC (1 A)/24 V DC (1 A) or lower
- Connection device for option input (A contact) terminal (IN1/IN2/IN3/IN4):
 - Input method: No-voltage contact
 - Open-circuit voltage between terminals: DC 7 V or less
 - Detection definite time: 0.1 second or more
 - Short-circuit between terminals: 5 mA or less
 - Resistance value: make: 500 Ω or less, break: 15 KΩ or more

■ Connecting an optional lobby station

For information about connections, refer to the documentation of the lobby station to be connected.



<Be sure to perform the following to ensure proper operation>

● Connecting an optional VL-V591 lobby station

- Connect terminal D1/D2 on the main monitor with terminal D1/D2 on the lobby station.
- Connect terminal S1/S2 on the main monitor with terminal S1/S2 on the lobby station.
- After connecting to the main monitor, change the [Lobby connection] setting to [Device connected] using the main monitor. (→Operating Instructions of the Video Intercom System.)

Note:

- **Connection for VL-V901 and VL-V700 series Video Intercom System for Apartment Complexes**
 - Connect terminal D1/D2 on the main monitor with terminal D1/D2 on the VL-V701 Distribution Box.
- **Connection for VL-VM series/VL-VM701 Video Intercom System - Lobby station/Distributor**
 - Connect either terminal D1/D2 or D3/D4 on the main monitor with the terminal on the Lobby station or VL-VM701 Distributor.

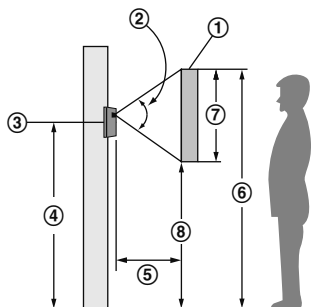
Doorphone installation position

Installation position of the doorphone and camera range

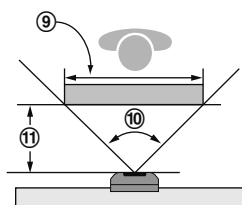
Views when the camera is facing forwards at 0° (default).

- Example: Installation height is 1450 mm (standard position).

(Units: mm)



A view when looking from above



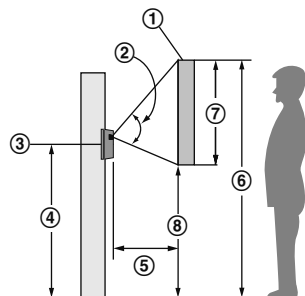
- ① Image range ② Approx. 54° ③ Centre of doorphone ④ Approx. 1450 ⑤ Approx. 500
 ⑥ Approx. 1740 ⑦ Approx. 510 ⑧ Approx. 1230 ⑨ Image range: Approx. 920 ⑩ Approx. 85°
 ⑪ Approx. 500

The camera angle can be adjusted using the camera angle control lever on the rear of the doorphone (step 3, "Installing the doorphone"), so that the image range can be changed.

Side view when the camera is installed lower than the standard position, and facing upwards at 15°.

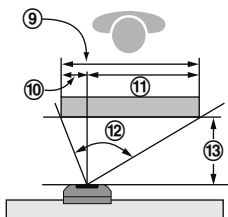
- Example: Installation height is 1100 mm.

(Units: mm)



Top view when the camera is facing left or right at 15° *1.

- Example: Camera angle faces left 15°.



- ① Image range ② Approx. 54° ③ Centre of doorphone ④ Approx. 1100 ⑤ Approx. 500
 ⑥ Approx. 1590 ⑦ Approx. 560 ⑧ Approx. 1030 ⑨ Image range: Approx. 1050 ⑩ Approx. 260
 ⑪ Approx. 790 ⑫ Approx. 85° ⑬ Approx. 500

*1 If the camera points 15° upwards, the left or right angle is less than 5°.

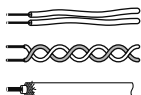
Note:

- The measurements and angles are for reference purposes and may vary depending on the environment.

Installing the doorphone

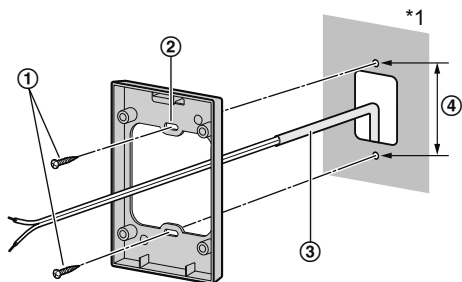
Important:

- On the bottom surface of the doorphone and the mounting base, there are holes to allow water to drain. Do not cover them up when installing.
- When existing wiring (such as chime wires) is used:
 - It may contain AC voltage that may cause electric shock and/or damage the product.
 - Never use the following types of wiring. Consult a qualified technician/dealer.



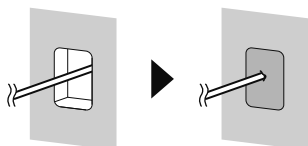
- See "Wire type and length" for information about wiring materials.

- 1 Attach the mounting base (2) (accessory) to the wall securely.
 - Install the mounting base on a vertical flat wall.



- ① Screws (accessory) × 2
- ③ Wire (locally procured)
- ④ 83.5 mm

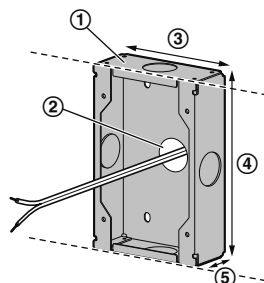
*1 To prevent dew condensation, fill a hole for wiring as much as possible.



When using flush mount box (option):

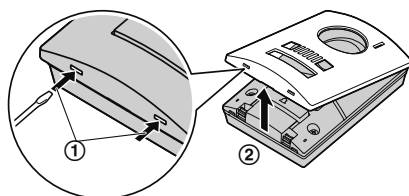
Model No. VL-MB524

Install the flush mount box (1) in the wall.

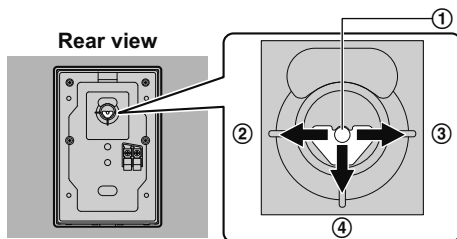


- ② Knockout hole *1
- ③ Approx. 90 mm ④ Approx. 138 mm ⑤ Approx. 37 mm
- *1 Only open the knockout holes as required for the wiring.

- 2 Use a slotted screwdriver (1) to push into the holes on the bottom side of the front panel, and remove the front panel (2) of the doorphone.

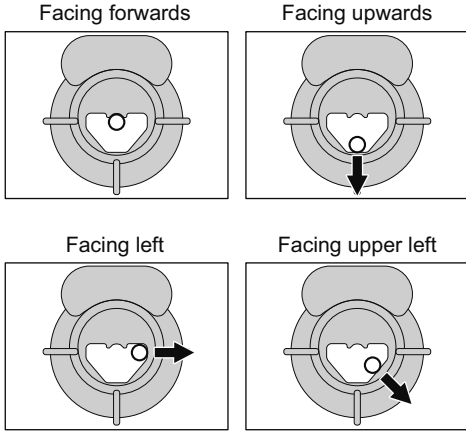


- 3 Adjust the camera angle using the camera angle control lever.



- ① Camera angle control lever
- ② Left (maximum 15°)
- ③ Right (maximum 15°)
- ④ Upwards (maximum 15°)

Examples of camera angle



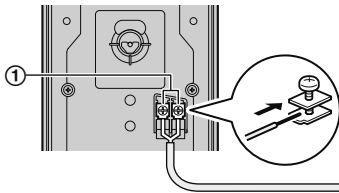
- The angle can also be adjusted to the right or upper right.

Important:

- When the camera angle is adjusted to the upper left or upper right, the image may be slightly distorted.

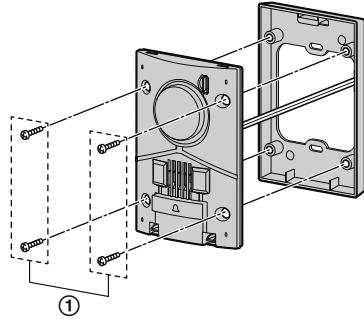
4 Connect the wires.

Loosen the screws. Push in the wires to the terminal connectors (non-polar), then tighten the screws (①).



- ① – Recommended torque: 0.5 N·m {5.1 kgf·cm}
- Maximum torque: 0.7 N·m {7.1 kgf·cm}

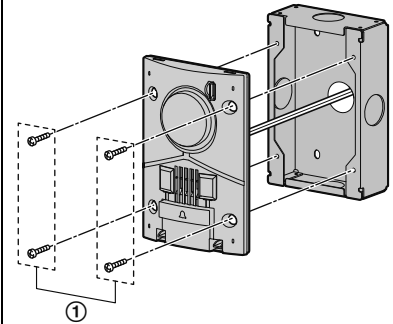
5 Attach the doorphone to the mounting base.



① Screws (accessory) × 4

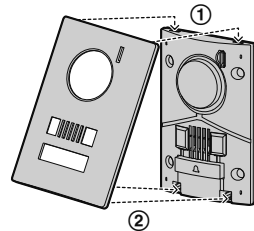
**When using flush mount box (option):
Model No. VL-MB524**

Attach the doorphone to the flush mount box.



① Screws (accessory) × 4

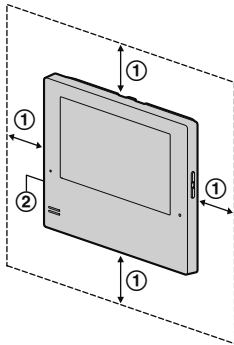
6 Attach the front panel in the order of ① → ②.



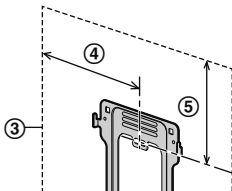
Main monitor/extension monitor installation position

About the installation position of the main monitor/extension monitor and mounting bracket

- Place the main monitor/extension monitor in a location that your eyes are the same height as the centre of the display.
- For the following reasons, leave at least 20 cm (①) of space above, below, and to the left and right sides of the main monitor/extension monitor:
 - To prevent malfunction and sound cutting out
 - To ensure to make sure the reset button (②) can be used (the reset button is on the side of the main monitor/extension monitor)



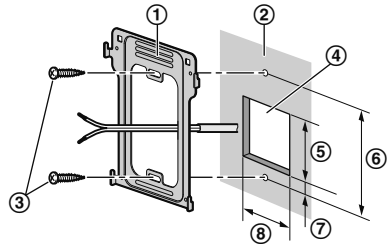
- After deciding where to install the main monitor/extension monitor, attach the mounting bracket in the location shown below.



- ③ Main monitor/extension monitor installation position
- ④ 100.4 mm
- ⑤ 55.7 mm

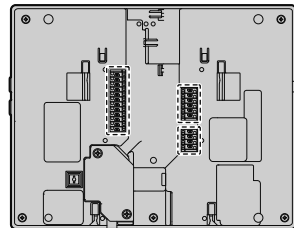
Installing the main monitor/extension monitor

- 1 Attach the mounting bracket (①) to the wall securely.
 - Install the mounting bracket on a vertical flat wall (②).



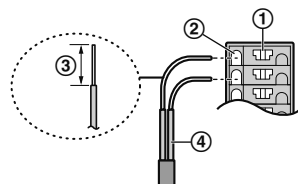
- ③ Screws (accessory) × 2
- ④ Hole in wall ⑤ 60 mm ⑥ 83.5 mm
- ⑦ 7 mm ⑧ 50 mm

- 2 Connect the wires.
 - Connect the wires correctly according to "Wiring schematic diagram".



● How to make wiring connections

While pressing on the button (①) with a pointed object such as a screwdriver, insert the wire into the terminal connector (②). (To disconnect a wire, while pressing on the button (①), pull out the wire.)



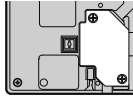
- ③ Bare wire at tip: 9 mm
- ④ Wiring from doorphone or other device

Important:

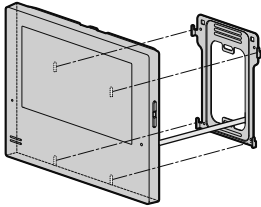
- Do not connect the power cable.
(Damage may occur.)

Note:

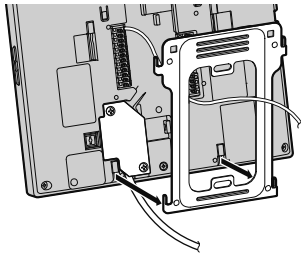
- Do not remove the terminal cover.



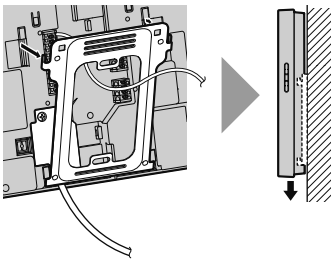
- 3** Mount the main monitor/extension monitor to the mounting bracket.



- 3-1 Line up the tab on the bottom of the bracket with the groove on the main monitor/extension monitor.



- 3-2 Line up the tab on the top of the bracket with the groove on the main monitor/extension monitor, and push the main monitor/extension monitor down until it is secure.



Panasonic Corporation

1006, Oaza Kadoma, Kadoma-shi, Osaka 571-8501, Japan
<http://www.panasonic.com>

© Panasonic Corporation 2019



PNQX8844ZA

PNQX8844ZA C0319MM0